

## JT3-18-5.5 x L range

A2 stainless steel bi-met fastener for fixing roofing or cladding steel sheets or steel to steel from 4.0mm - 18.0mm in thickness.

### Application Features

- For steel structures 4.0mm - 18.0mm in thickness
- Can be used in conjunction with S16 and S19 stainless/EPDM and A29 aluminium vulcanised sealing washers
- Profiled steel and aluminium roofing and cladding sheets to hot rolled steel sections

### Material Specification

- High quality stainless steel grade A2 to ISO 3506, EN 1.4301 to ISO 10088, AISI 304
- High quality hardened carbon steel drill point



### Performance Details

#### Ultimate Fastener Tensile Strength

Fastener Diameter	kN
5.5 x L	11.50

#### Ultimate Fastener Shear Strength

Fastener Diameter	kN
5.5 x L	7.50

#### Ultimate Pullout Load kN

Fastener Diameter	Nominal Steel Thickness (mm)					
	4.00	5.00	6.00	10.00	12.00	18.00
5.5 x L	8.25	10.50	11.50*	-	-	-

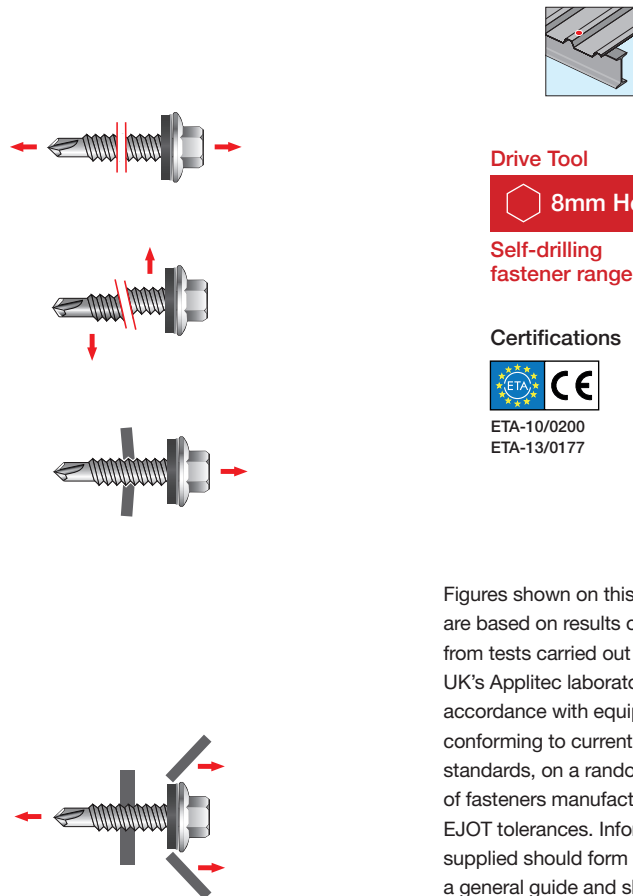
\*Mode of failure for ultimate pullout from 5-6mm thickness plus steel is limited by the ultimate tensile strength of the fastener.

Figures based on tests from steel 4.0mm and thicker designated as grade S275 (BS EN 10025), minimum yield strength 275 N/mm<sup>2</sup>.

#### Ultimate Pullover Load kN

Washer Face	Nominal Steel Thickness (mm)				
		Steel		Aluminium	
	0.50	0.70	0.90	0.70	0.90
S16 Washer	4.20	5.20	5.50	2.00	2.20
S19 Washer	4.50	5.65	6.00	2.40	2.90

Figures based on use with R38 profile steel sheets with fastener located in valley of profile.



Drive Tool

8mm Hex

Self-drilling fastener range

Certifications



ETA-10/0200  
ETA-13/0177

Figures shown on this data sheet are based on results obtained from tests carried out in EJOT UK's Applitec laboratory in accordance with equipment conforming to current industry standards, on a random sample of fasteners manufactured to EJOT tolerances. Information supplied should form part of a general guide and should performance data for a specific application be required please do not hesitate to contact us.