

Approval body for construction products  
and types of construction

Bautechnisches Prüfamt

An institution established by the Federal and  
Laender Governments



## European Technical Assessment

ETA-06/0123  
of 13 November 2018

English translation prepared by DIBt - Original version in German language

### General Part

Technical Assessment Body issuing the  
European Technical Assessment:

Deutsches Institut für Bautechnik

Trade name of the construction product

Liebig<sup>®</sup> Anchor<sup>™</sup>

Product family  
to which the construction product belongs

Mechanical fasteners for use in concrete

Manufacturer

EJOT Baubefestigungen GmbH  
In der Stockwiese 35  
57334 Bad Laasphe  
DEUTSCHLAND

Manufacturing plant

EJOT Plant 26

This European Technical Assessment  
contains

12 pages including 3 annexes which form an integral part  
of this assessment

This European Technical Assessment is  
issued in accordance with Regulation (EU)  
No 305/2011, on the basis of

EAD 330232-00-0601

The European Technical Assessment is issued by the Technical Assessment Body in its official language. Translations of this European Technical Assessment in other languages shall fully correspond to the original issued document and shall be identified as such.

Communication of this European Technical Assessment, including transmission by electronic means, shall be in full. However, partial reproduction may only be made with the written consent of the issuing Technical Assessment Body. Any partial reproduction shall be identified as such.

This European Technical Assessment may be withdrawn by the issuing Technical Assessment Body, in particular pursuant to information by the Commission in accordance with Article 25(3) of Regulation (EU) No 305/2011.

## Specific Part

### 1 Technical description of the product

The Liebig® Anchor™ of sizes M6, M8, M10, M12 and M16 is an anchor made of galvanised steel which is placed in an drilled hole and anchored by torque-controlled expansion. Product and product description is given in Annex A.

### 2 Specification of the intended use in accordance with the applicable European Assessment Document

The performances given in Section 3 are only valid if the anchor is used in compliance with the specifications and conditions given in Annex B.

The verifications and assessment methods on which this European Technical Assessment is based lead to the assumption of a working life of the anchor of at least 50 years. The indications given on the working life cannot be interpreted as a guarantee given by the producer, but are to be regarded only as a means for choosing the right products in relation to the expected economically reasonable working life of the works.

### 3 Performance of the product and references to the methods used for its assessment

#### 3.1 Mechanical resistance and stability (BWR 1)

Essential characteristic	Performance
Characteristic resistance to tension load (static and quasi-static loading)	See Annex C 1
Characteristic resistance to shear load (static and quasi-static loading)	See Annex C 2
Displacements (static and quasi-static loading)	See Annex C 1 und C 2
Characteristic resistance and displacements for seismic performance categories C1 and C2	No performance assessed

#### 3.2 Safety in case of fire (BWR 2)

Essential characteristic	Performance
Reaction to fire	Class A1
Resistance to fire	See Annex C 3

**4 Assessment and verification of constancy of performance (AVCP) system applied, with reference to its legal base**

In accordance with the European Assessment Document EAD No. 330232-00-0601 the applicable European legal act is: [96/582/EC].

The system to be applied is: 1

**5 Technical details necessary for the implementation of the AVCP system, as provided for in the applicable EAD**

Technical details necessary for the implementation of the AVCP system are laid down in the control plan deposited with Deutsches Institut für Bautechnik.

Issued in Berlin on 13 November 2018 by Deutsches Institut für Bautechnik

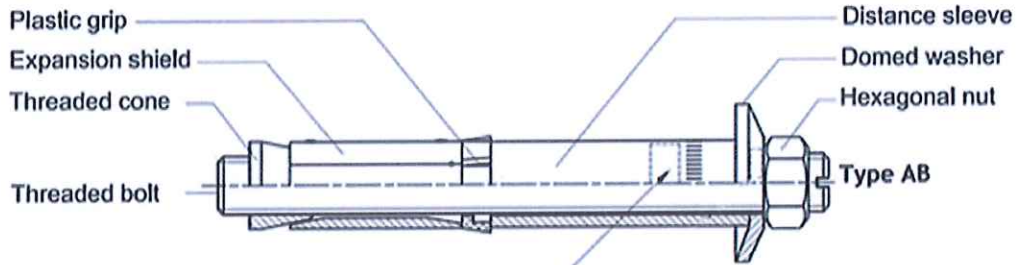
BD Dipl.-Ing. Andreas Kummerow  
Head of Department

*beglaubigt:*  
Tempel



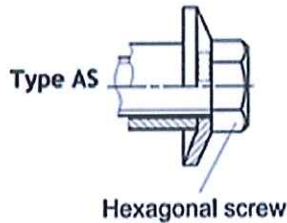
English translation prepared by DIBt

### Liebig® Anchor™

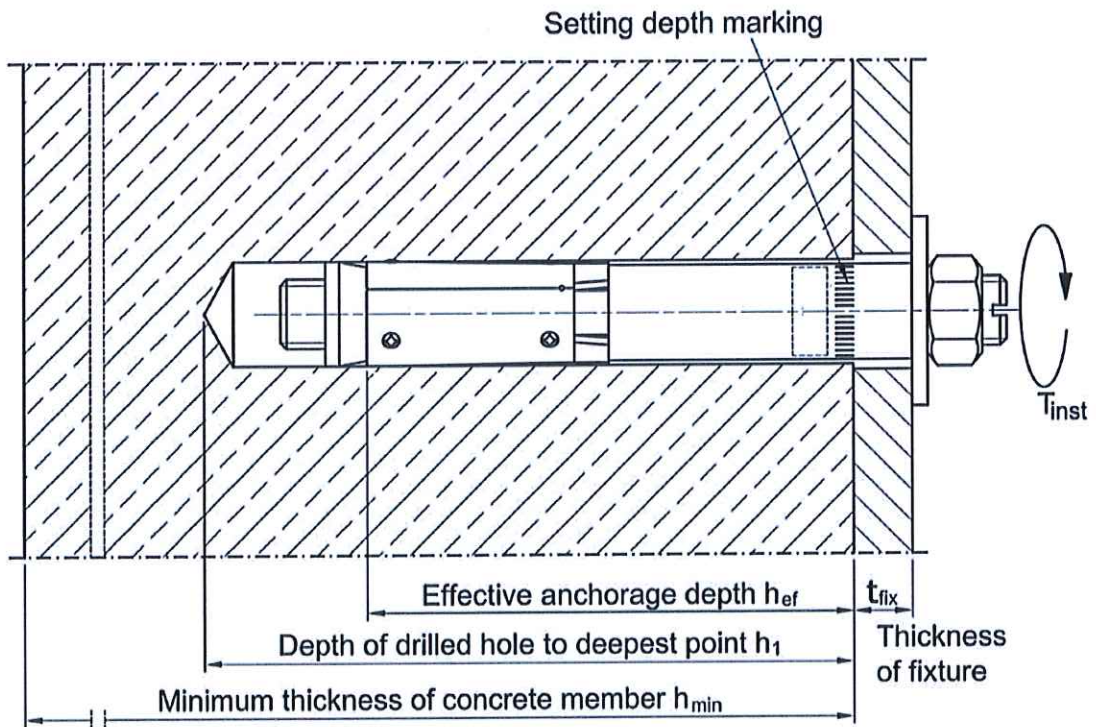


**Marking:**  
 Identifying mark: ☒  
 Thread size: M ..  
 Max. fixture thickness:  $t_{fix}$   
 Setting depth marking: knurl or groove

For example: ☒ M10/40



### Liebig® Anchor™ after installation

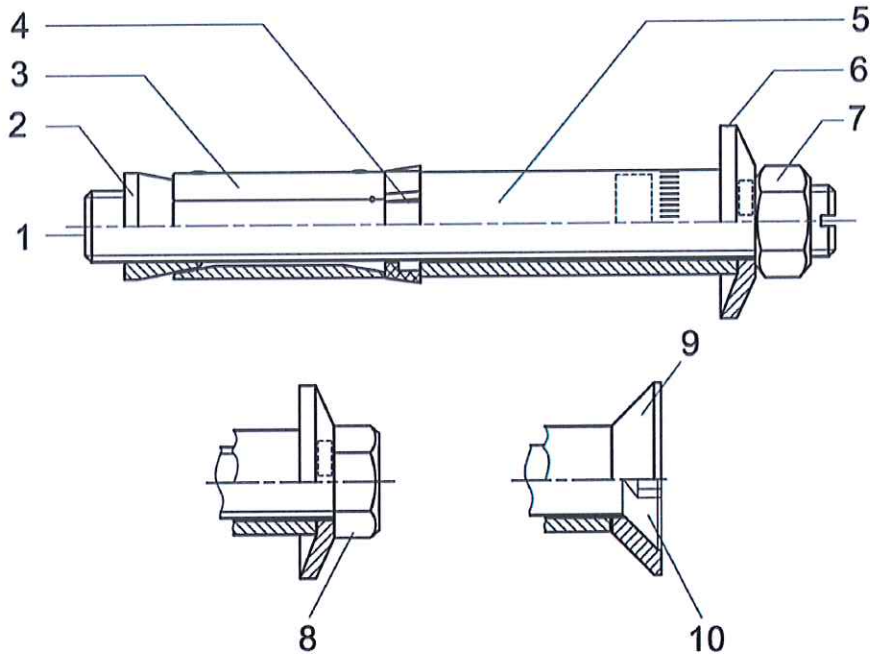


Liebig® Anchor™

Annex A1

**Product description**  
Product and installation situation

**Liebig® Anchor™**



**Table 1: Materials**

Part	Designation	Material <sup>1) 2)</sup>
1	Threaded bolt	EN ISO 898-1: grade 8.8
2	Threaded cone	Case hardened carbon steel
3	Expansion shield	EN 10025: 1.0037 / EN 10139: 1.0330
4	Plastic grip	PE
5	Distance sleeve	EN 10025: 1.0037 / EN 10139: 1.0330
6	Domed washer	EN 10139: 1.0330
7	Hexagonal nut	EN 20898-2: grade 8
8	Hexagonal screw	EN ISO 898-1: grade 8.8
9	Countersunk washer	EN 10025: 1.0037 / EN 10087: 1.0718
10	Countersunk screw	EN ISO 898-1: grade 8.8

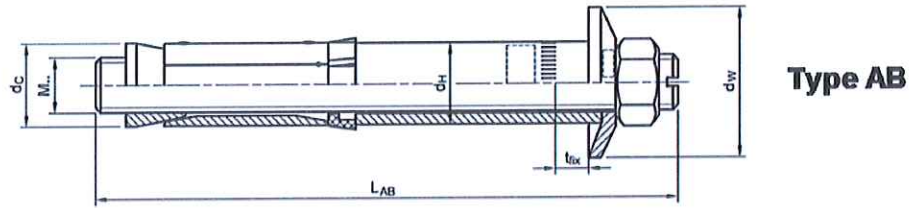
<sup>1)</sup> Parts 1 - 3 and 5 - 10 zinc electroplated according to EN ISO 4042 ≥ 5 µm, passivated.

<sup>2)</sup> Parts 2, 6, 7 and 9 with lubrication.

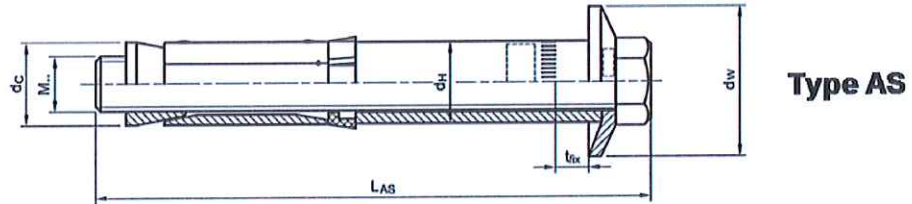
Liebig® Anchor™

Annex A2

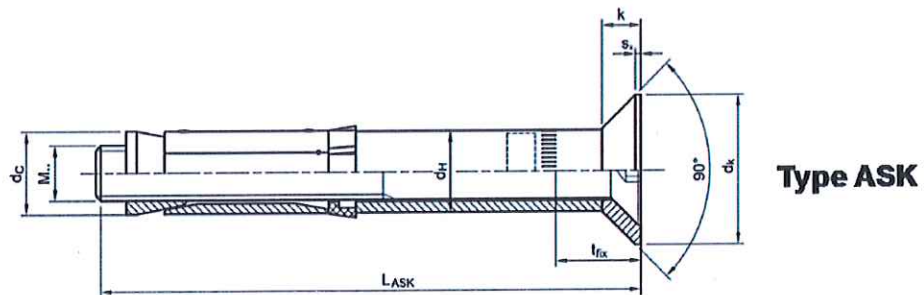
### Liebig® Anchor™



**Type AB**



**Type AS**



**Type ASK**

**Table 2: Dimensions of the anchors**

Anchor size		M6-10/45/..	M8-12/55/..	M10-15/65/..	M12-20/80/..	M16-25/100/..
<b>Type AB</b>	$t_{fix}^{1)}$ [mm]	0 - 200	0 - 200	0 - 200	0 - 200	0 - 200
	$L_{AB}$ [mm]	65 - 265	80 - 280	95 - 295	115 - 315	145 - 345
<b>Type AS</b>	$t_{fix}^{1)}$ [mm]	1 - 200	1 - 200	2 - 200	5 - 200	5 - 200
	$L_{AS}$ [mm]	65 - 265	76 - 275	93 - 291	113 - 308	145 - 340
<b>Type ASK</b>	$t_{fix}^{1)}$ [mm]	6 - 200	8 - 200	8 - 200	10 - 200	15 - 200
	$L_{ASK}$ [mm]	60 - 250	75 - 265	85 - 275	105 - 295	135 - 320
	$s_k$ [mm]	0,5	0,5	1	1	1
	$k$ [mm]	5,5	6,5	7	8	14
	$d_k$ [mm]	20	24	27	33	50
$d_c$	[mm]	10	12	15	19,7	24,7
$d_H$	[mm]	9,5	11,7	14,7	19	24
$d_w$	[mm]	15	20	25	30	40

<sup>1)</sup>  $t_{fix}$  = Thickness of fixture

Liebig® Anchor™

Annex A3



## Specifications of intended use

### Anchorage subject to:

- Static and quasi-static loads
- Fire exposure

### Base materials:

- Cracked and uncracked concrete
- Reinforced or unreinforced normal weight concrete without fibres, strength classes C20/25 to C50/60 according to EN 206:2013

### Use conditions (Environmental conditions):

- Structures subject to dry internal conditions

### Design:

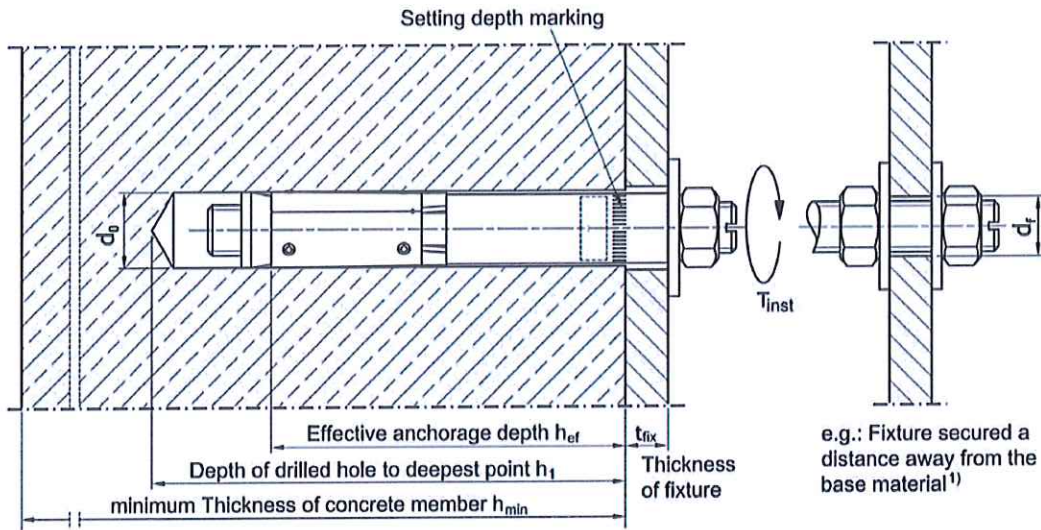
- Anchorages are designed under the responsibility of an engineer experienced in anchorages and concrete work,
- Verifiable calculation notes and drawings are prepared taking account of the loads to be anchored. The position of the anchor is indicated on the design drawings (e. g. position of the anchor relative to reinforcement or to supports, etc.),
- Anchorages are designed in accordance with FprEN 1992-4:2017 and EOTA Technical Report TR 055, design method A.

### Installation:

- Anchor installation carried out by appropriately qualified personnel and under the supervision of the person responsible for technical matters of the site.
- Anchor installation in accordance with the manufacturer's specifications and drawings and using the appropriate tools.
- Hole drilling by hammer drill only.
- Cleaning of the hole of drilling dust.
- Application of specified torque moment using a calibrated torque tool.
- In case of aborted hole: new drilling at a minimum distance away of twice the depth of the aborted hole, or smaller distance if the aborted drill hole is filled with high strength mortar and if under shear or oblique tension loads it is not in the direction of load application.

<b>Liebig® Anchor™</b>	Annex B1
<b>Intended use Specifications</b>	





**Table 3: Installation data**

Liebig® Anchor™			Anchor size				
			M6 10/45/..	M8 12/55/..	M10 15/65/..	M12 20/80/..	M16 25/100/..
Nominal diameter of drill bit	$d_o$	[mm]	10	12	15	20	25
Cutting diameter of drill bit	$d_{cut} \leq$	[mm]	10,45	12,5	15,5	20,55	25,55
Depth of drilled hole to deepest point	$h_1 \geq$	[mm]	60	70	85	100	125
Diameter of clearance hole in the fixture	$d_f \leq$	[mm]	12	14	17	21	26
	$d_f^{1)} \leq$	[mm]	7	9	12	14	18
Maximum thickness of fixture	$t_{fix} \leq$	[mm]	200	200	200	200	200
Width across flats type AB + AS	SW	[mm]	10	13	17	19	24
Width across flats type ASK	S	[mm]	4	5	6	8	10
Torque moment type AB	$T_{inst}$	[Nm]	7	15	30	50	115
Torque moment type AS			8	20	50	75	170
Torque moment type ASK			12	20	50	90	190

¹) Mounting on the threaded bolt (only type AB)

**Table 4: Minimum thickness of concrete member, spacing and edge distance**

Liebig® Anchor™			Anchor size				
			M6 10/45/..	M8 12/55/..	M10 15/65/..	M12 20/80/..	M16 25/100/..
Minimum thickness of concrete member	$h_{min}$	[mm]	100	110	130	160	200
Minimum spacing	$s_{min}$	[mm]	60	80	130	200	300
	for $c \geq$	[mm]	130	180	230	300	400
Minimum edge distance	$c_{min}$	[mm]	80	100	130	200	300
	for $s \geq$	[mm]	140	200	230	300	350

Intervals may be interpolated linearly.

Liebig® Anchor™

Annex B2

**Table 5: Design method A**  
**Characteristic values for tension loads**

Liebig® Anchor™			Anchor size				
			M6 10/45/..	M8 12/55/..	M10 15/65/..	M12 20/80/..	M16 25/100/..
<b>Steel failure</b>							
Characteristic resistance	$N_{Rk,s}$	[kN]	16,1	29,3	46,4	67,4	125,3
Partial safety factor	$\gamma_{Ms}$	[-]	1,5				
<b>Pull-out failure</b>							
Characteristic resistance in cracked concrete C20/25	$N_{Rk,p}$	[kN]	6	9	16	– <sup>1)</sup>	– <sup>1)</sup>
Characteristic resistance in uncracked concrete C20/25	$N_{Rk,p}$	[kN]	7,5	12	20	– <sup>1)</sup>	– <sup>1)</sup>
Increasing factors for $N_{Rk,p}$	$\Psi_C$	C25/30	1,12				
		C30/37	1,22				
		C35/45	1,32				
		C40/50	1,41				
		C45/55	1,50				
		C50/60	1,58				
Installation safety factor	$\gamma_{Inst}$	[-]	1,2	1,2	1,0	1,0	1,0
<b>Concrete cone failure</b>							
Effective anchorage depth	$h_{ef}$	[mm]	45	55	65	80	100
Factor $k_1$	$k_{cr,N}$		7,7				
	$k_{ucr,N}$		11,0				
Spacing	$s_{cr,N}$	[mm]	$3 \times h_{ef}$				
Edge distance	$c_{cr,N}$	[mm]	$1,5 \times h_{ef}$				
Installation safety factor	$\gamma_{Inst}$	[-]	1,2	1,2	1,0	1,0	1,0
<b>Concrete Splitting failure</b>							
Spacing (splitting)	$s_{cr,sp}$	[mm]	$5 \times h_{ef}$				
Edge distance (splitting)	$c_{cr,sp}$	[mm]	$2,5 \times h_{ef}$				
Installation safety factor	$\gamma_{Inst}$	[-]	1,2	1,2	1,0	1,0	1,0

<sup>1)</sup> Pull-out failure not decisive.

**Table 6: Displacements under tension loads**

Liebig® Anchor™			Anchor size				
			M6 10/45/..	M8 12/55/..	M10 15/65/..	M12 20/80/..	M16 25/100/..
Cracked concrete C20/25	N	[kN]	2,4	3,6	7,6	12,3	17,1
	$d_{N0}$	[mm]	0,2	0,3	0,3	0,5	0,5
	$d_{N\infty}$	[mm]	1,0	1,0	1,0	1,0	1,0
Uncracked concrete C20/25	N	[kN]	3,0	4,8	9,5	15,0	22,7
	$d_{N0}$	[mm]	0,2	0,2	0,2	0,3	0,3
	$d_{N\infty}$	[mm]	1,0	1,0	1,0	1,0	1,0

Liebig® Anchor™

**Performances**  
Design method A: Characteristic values for tension loads,  
Displacements under tension loads

Annex C1



**Table 7: Design method A**  
**Characteristic values for shear loads**

Liebig® Anchor™			Anchor size				
			M6 10/45/..	M8 12/55/..	M10 15/65/..	M12 20/80/..	M16 25/100/..
<b>Steel failure for shear load without lever arm</b>							
Characteristic resistance	$V_{Rk,s}$	[kN]	15	25	39	60	96
Partial safety factor	$\gamma_{Ms}$	[-]	1,25				
<b>Steel failure for shear load with lever arm</b>							
Characteristic bending moment	$M^0_{Rk,s}$	[Nm]	12	30	60	105	266
Partial safety factor	$\gamma_{Ms}$	[-]	1,25				
<b>Concrete pry-out failure</b>							
Factor	$k_g$	[-]	1		2		
Installation safety factor	$\gamma_{Inst}$	[-]	1,0				
<b>Concrete edge failure</b>							
Effective length of anchor under shear load	$\ell_f$	[mm]	45	55	65	80	100
Outside diameter of anchor	$d_{nom}$	[mm]	10	12	15	20	25
Installation safety factor	$\gamma_{Inst}$	[-]	1,0				

**Table 8: Displacements under shear loads**

Liebig® Anchor™			Anchor size				
			M6 10/45/..	M8 12/55/..	M10 15/65/..	M12 20/80/..	M16 25/100/..
Cracked and uncracked concrete C20/25 - C50/60	V	[kN]	8,6	14,3	22,3	34,3	54,9
	$d_{v0}$	[mm]	2,5	2,9	3,2	4,1	5,0
	$d_{v\infty}$	[mm]	3,8	4,4	4,5	6,2	7,5

Liebig® Anchor™

Annex C2

**Performances**  
Design method A: Characteristic values for shear loads,  
Displacements under shear loads



**Table 9: Design method A**  
**Characteristic resistances in cracked and uncracked concrete**  
**C20/25 to C50/60 under fire exposure**

Liebig® Anchor™				Anchor size				
				M6 10/45/..	M8 12/55/..	M10 15/65/..	M12 20/80/..	M16 25/100/..
<b>Tension resistance</b> <small>Fire resistance class</small>								
Characteristic resistance	R30	$N_{RK,s,fi}$	[kN]	0,2	0,4	0,9	1,7	3,1
	R60	$N_{RK,s,fi}$	[kN]	0,2	0,3	0,8	1,3	2,4
	R90	$N_{RK,s,fi}$	[kN]	0,1	0,3	0,6	1,1	2,0
	R120	$N_{RK,s,fi}$	[kN]	0,1	0,2	0,5	0,8	1,6
Spacing		$s_{cr,fi}$	[mm]	4 x $h_{ef}$				
Edge distance		$c_{cr,fi}$	[mm]	2 x $h_{ef}$				
		$c_{min}$	[mm]	In fire attack from more than one side: $\geq 300$ mm				

<b>Shear resistance without lever arm</b> <small>Fire resistance class</small>								
Characteristic resistance	R30	$V_{RK,s,fi}$	[kN]	0,2	0,4	0,9	1,7	3,1
	R60	$V_{RK,s,fi}$	[kN]	0,2	0,3	0,8	1,3	2,4
	R90	$V_{RK,s,fi}$	[kN]	0,1	0,3	0,6	1,1	2,0
	R120	$V_{RK,s,fi}$	[kN]	0,1	0,2	0,5	0,8	1,6
<b>Shear resistance with lever arm</b>								
Characteristic resistance	R30	$M^0_{RK,s,fi}$	[Nm]	0,2	0,4	1,1	2,6	6,6
	R60	$M^0_{RK,s,fi}$	[Nm]	0,1	0,3	1,0	2,0	5,0
	R90	$M^0_{RK,s,fi}$	[Nm]	0,1	0,3	0,7	1,7	4,3
	R120	$M^0_{RK,s,fi}$	[Nm]	0,1	0,2	0,6	1,3	3,3

Liebig® Anchor™

**Performances**  
Design method A: Characteristic values of resistances under fire exposure

Annex C3