

EJOT® ADJUSTtec

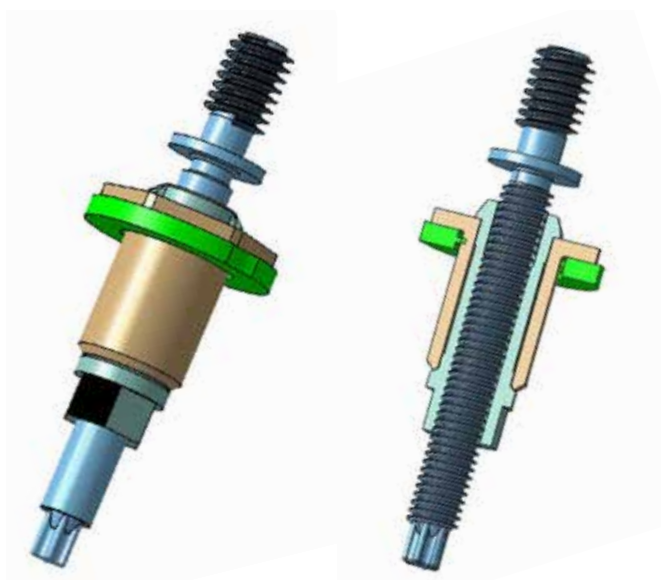
Adjustment element “multifunctional”

In modern automotive engineering adjustable rear lights are often used in order to ensure evenly spaced clearances.

EJOT® ADJUSTtec “multifunctional” is a component made of a steel bushing with an external M 10 x 1 thread. Inside, a freely turnable plastic sleeve (with M 5 inside thread) takes up a double ended stud.

To prevent moisture penetration a plastic sealing washer has been integrated into the component.

The pre-adjusted component, with external TORX® E4 drive, is fastened into the screw boss of the add-on part in a self-tapping and self-locking way.



The rear light, equipped with these elements, is then fastened to the auto body at the production line of the OEM with just a few manual steps.

During the installation of the elements into the rear light and during fastening of the lights to the car body, the pre-assembly position remains the same. The adjustment of the add-on parts can be done at the plastic sleeve, without loosening the connection.



Features of the adjustment element

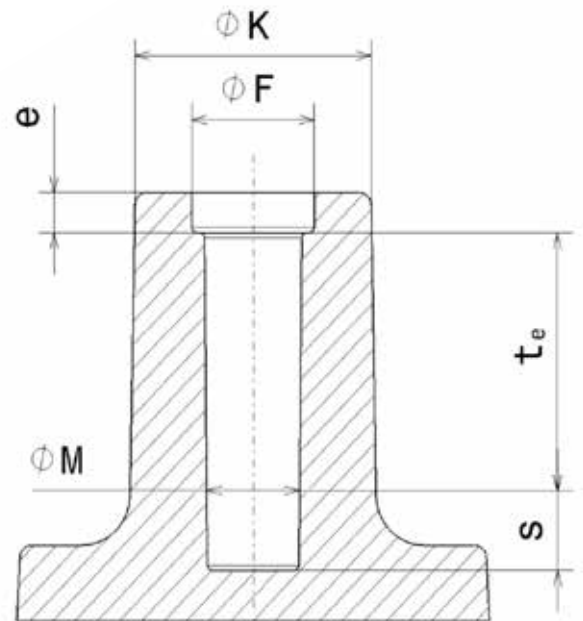
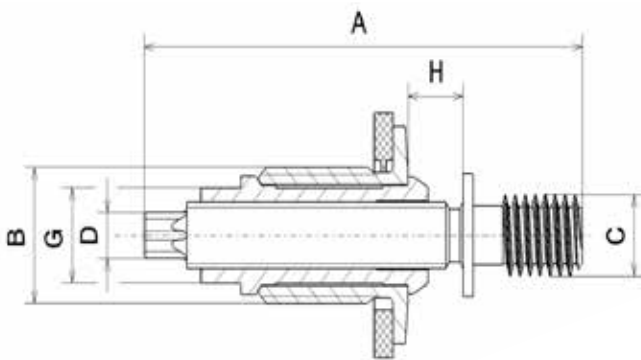
- Pre-assembly to the add-on part possible
- Fast assembly at the production line
- Pre-adjusted, ready-to-install element
- Adjustment without loosening the connection
- No screw thread in the screw boss required
- Weight reduction through metal-plastic solution
- Large adjusting range
- Variable torque

Field of application

- Fastening and adjusting of rear lights e.g. VW EOS
- Fastening and adjusting of add-on parts (plastic add-on parts)

Technical information

Dimensions	Total length of the component [mm]	Connection light casing	Installation drive	Connection auto body	Pre-adjustment [mm]	Adjusting range [mm]	Prevailing torque [Nm]		Adjustment drive	Component weight [g/pc.]
							Value	Tolerance		
	A	C	D	B	H				G	
M5x32x44	44	DELTA PT® 60	TORX® E4	M10x1	5.5 ± 0.5	2.7	0.5	min.	A/F 7	10.7
M5x39x51	51	DELTA PT® 60	TORX® T4	M10x1	5.5 ± 0.5	2.7	0.5	min.	A/F 7	11.6



Installation instruction / boss design

- **Screw boss rear light according to the installation recommendation:**

Diameter M	= Ø 4.8 mm
Diameter F	= Ø 6.3 mm
Diameter K	= Ø 12 mm
t _e	= 12 mm
s	= 3 mm
e	= 1.8 ... 2.4 mm

- **Installation rotation speed:**

n = 500 rpm

