

EJOT® vortex-SDS drilling system

Technical specifications

The EJOT vortex-SDS drilling system has been developed in response to the increasing HSE focus in the UK, on dust removal at source, on site.

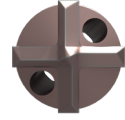
The system instantly extracts potentially harmful dust and debris whilst still providing high accuracy, faster installation and cost benefits.

All items sold individually or as part of the EJOT vortex-SDS dust-free drill kit. The 'Vortex-SDS' drill extension can also be purchased separately to extend the possible drill depth to up to 450mm when used in conjunction with an existing 'Vortex-SDS' drill extension and modular bit of 20mm diameter.

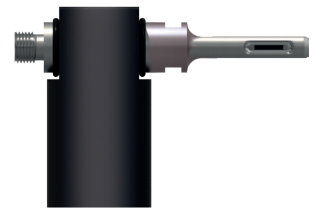


EJOT®

Engineered with high quality carbide tips

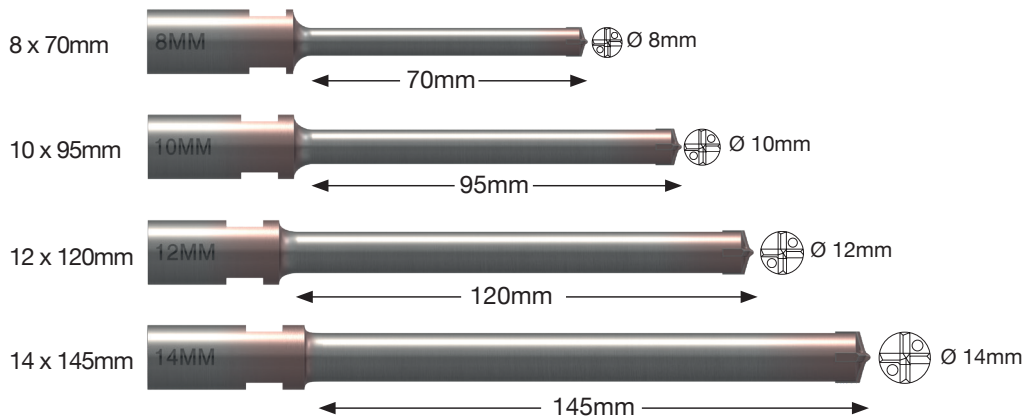


EJOT vortex-SDS DRILL TO HOSE CONNECTOR



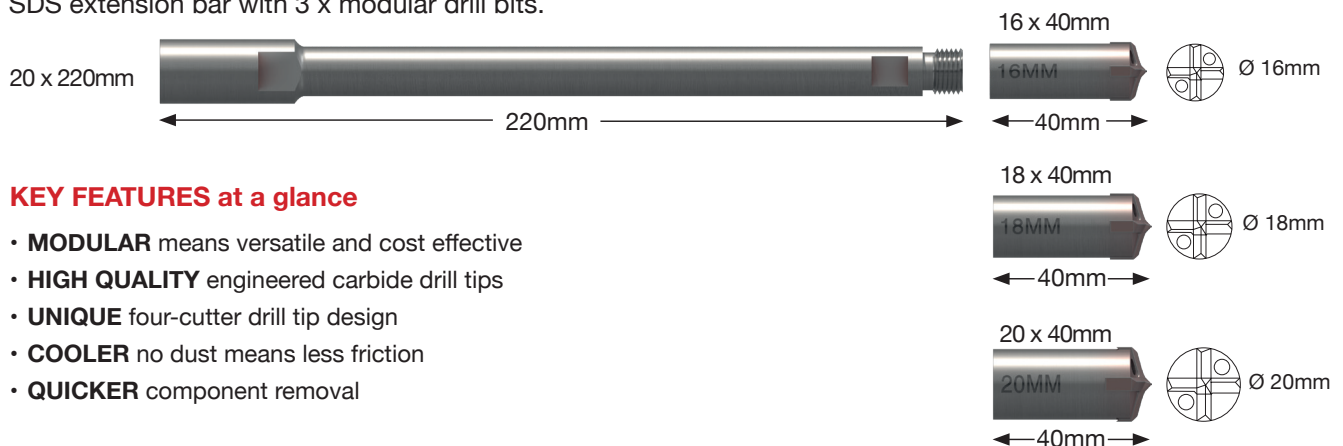
Vortex-SDS STANDARD DRILL BITS 8-14mm

Threaded directly on to the EJOT vortex-SDS drill hose connector.



Vortex-SDS MODULAR SYSTEM 16-20mm

SDS extension bar with 3 x modular drill bits.



KEY FEATURES at a glance

- **MODULAR** means versatile and cost effective
- **HIGH QUALITY** engineered carbide drill tips
- **UNIQUE** four-cutter drill tip design
- **COOLER** no dust means less friction
- **QUICKER** component removal

After-care and Maintenance

Keep your EJOT vortex-SDS drill bits in the best condition by treating the surface after each use with a high quality lubricant.

- Clean each item of any debris or dirt
- Spray or wipe each item sparingly with your chosen product
- Lightly rub with a soft, clean cloth and place back in your EJOT vortex-SDS carry case

EJOT UK Limited, Hurricane Close, Sherburn Enterprise Park, Sherburn-in-Elmet, Leeds LS25 6BP. United Kingdom

Tel: +44 1977 68 70 40 Fax: +44 1977 68 70 41 Email: info@ejot.co.uk www.ejot.co.uk

EJOT® The Quality Connection