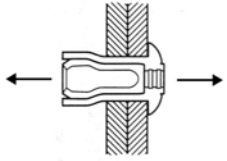


EJOT® Varigrip Rivets

D11-AL/V Type



Ultimate Rivet Tensile Strength



Rivet Size	kN
4.8 x 16	2.25

Technical Specification

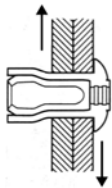
Rivet Body

Aluminium Alloy 2.5% Magnesium to DIN 1725 AlMg with Mill Finish

Mandrel

Low Carbon Steel to DIN 1654 with Zinc Plated Finish

Ultimate Rivet Shear Strength



Rivet Size	kN
4.8 x 16	1.31

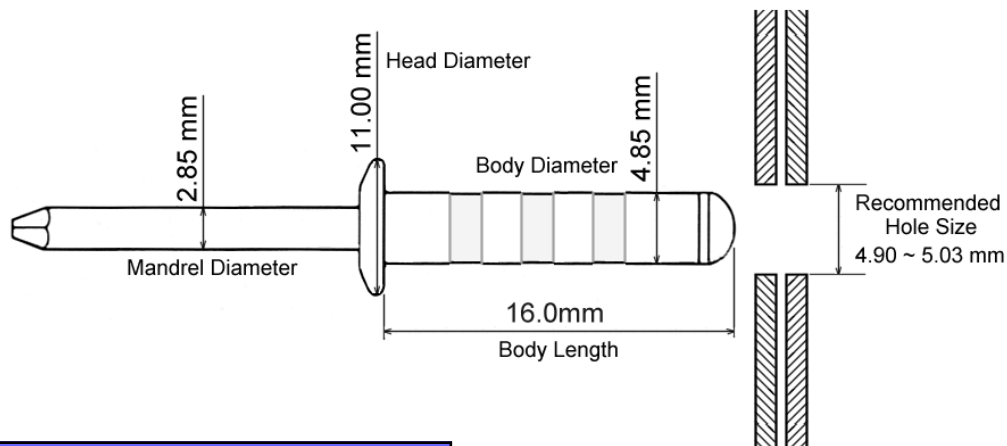
Assembly

The suffix W denotes that Rivets are assembled with an EPDM sealing ring 3.75mm thick.

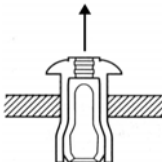
Dimensional Characteristics

Grip Range

The multigrip body feature allows a grip range from 0 to 11.00 mm



Ultimate Pullout Load kN



Fastener Dia	Nominal Steel Thickness (mm)			
		0.50	0.70	0.90
4.8 x L		1.32	2.25*	2.25*

* Pullout is limited by the Ultimate tensile strength of the rivet. Figures taken from steel designated as minimum yield strength 220Nmm⁻²

Figures above are based on results obtained from tests carried out in our Applitec lab in accordance with equipment conforming to BS 5427 on a random sample of fasteners manufactured to EJOT tolerances. Information supplied should form part of a general guide and should performance data for a specific application be required please do not hesitate to contact us.

EJOT UK Limited Sherburn-in-Elmet, Leeds LS25 6PB.
Tel: 01977 687040 Fax: 01977 687041
www.ejot.co.uk info@ejot.co.uk

EJOT The Quality Connection